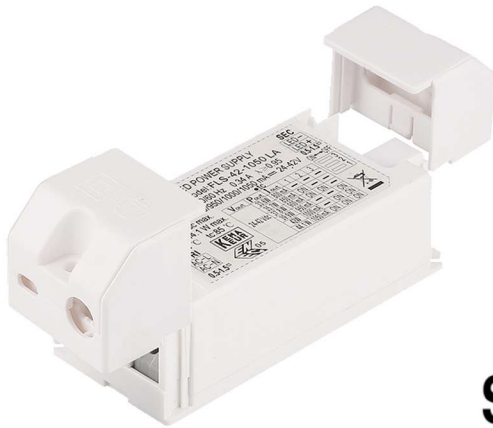




32W Constant current Dip Switch-FLS Series

FLS-32-800 LD



■ Approve

SELV CE

■ Features

- Class II, SELV, built-in/independent
- Input Voltage 220-240VAC
- Protections: SCP/OLP/OVP
- Power Factor >0.95
- Efficiency(Typ.) ≥87%
- 5 years warranty

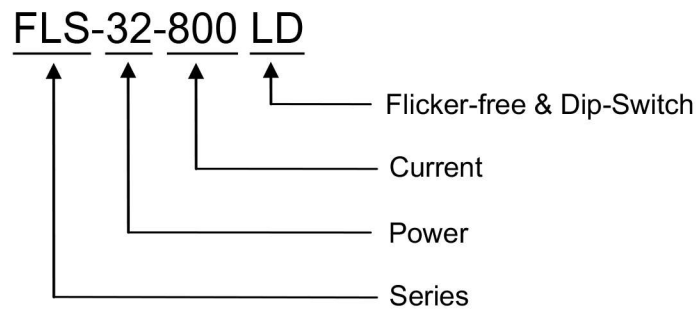
■ Applications

- LED strips
- LED panel
- Down light
- Track spot light

■ Description

FLS-32-800 LD is a 32W constant current LED driver with 600 to 800mA output current and a forward voltage range from 28 to 40Vdc. The output current is selectable by DIP Switch. With it's compact dimensions from 97 x 43 x 26mm it is easy to integrate in LED Panel and down light products. The side covers are available as accessories and allow to use the LED driver independent.

■ Model code



32W Constant current Dip Switch-FLS Series

FLS-32-800 LD

■ Specification

Input	Rated input voltage	220-240VAC
	Range of input voltage	198-264VAC
	Frequency(Hz)	50/60 Hz
	Power Factor	> 0.95@220-240Vac, Full load, I _o =800mA
	Input Current max	0.26A MAX. @Full Load, 198VAC
	Start-up time	< 0.5S
	Unload Power Consumption	≤0.5W
	Inrush Current	30A Max.
	THD	10% Typ. @Full load, 230VAC, I _o =800mA
	Leakage Current	< 0.5mA(240VAC)
Output	Constant Current *Note.3	600/650/700/800mA
	Unload voltage Max.	50 VDC
	Voltage Range(VDC)	28-40VDC
	Rated power	32W Max.
	Current Accuracy	±5%@220-240Vac
	Voltage Regulation	±5% @220-240Vac, Full load.
	Load Regulation	±5%@220-240Vac
	Hold-up Time	1s max.@Full Load
	Ripple& Noise *Note.2	≤±3% @Full Load, 240VAC
	Efficiency(Typ.)	≥87%@Full Load, 230VAC
Protection	Over Load Protection	103-120% Protection type: Auto Resume
	Over Voltage Protection	> 50VDC Protection type: Auto Resume
	Short circuit Protection	Protection type: Auto Resume
Environment	Operating Temperature	-20°C...+45°C
	t _c	85°C
	Storage Temperature	-40°C...+80°C
	Life time	>30,000H@45°C
	Humidity	20%-90%RH
Others	Dimension	With side caps: 131X43X26(LXWXH)mm
		Without side caps: 97X43X26(LXWXH)mm
Safety & EMC	Safety standards	EN 61347-1; EN61347-2-13; EN62384
	Withstand voltage	Input-Output : 3750V/5mA/1min
	Isolation resistance	Input-Output : ≥4MΩ@500VDC
	EMI	EN55015; EN61000-3-2 Class C; EN61000-3-3
	EMS	EN 61547; EN 61000-4-2; EN 61000-4-5 —1000V;
Note	<p>1.All parameters NOT specially mentioned are measured at 240VAC input , I_o=800mA, full load and 25°C of ambient temperature.</p> <p>2.Ripple & Noise are measured at 20MHz of bandwidth by using a 300mm twisted pair-wire terminated with a 0.1uF & 47 uF parallel capacitor.</p> <p>3.Output current can be from 600mA to 800mA. Please see Adjustable Output Current with dip-switch below and contact EAGLERISE for details.</p>	

32W Constant current Dip Switch-FLS Series

FLS-32-800 LD

Adjustable Output Current with dip-switch

Vo	Po	Io	1	2	3
28-40VDC	24W	600mA	--	--	--
28-40VDC	26W	650mA	ON	--	--
28-40VDC	28W	700mA	--	ON	--
28-40VDC	32W	800mA	--	--	ON

Ordering data

An additional order for caps and screws needed if you require them.

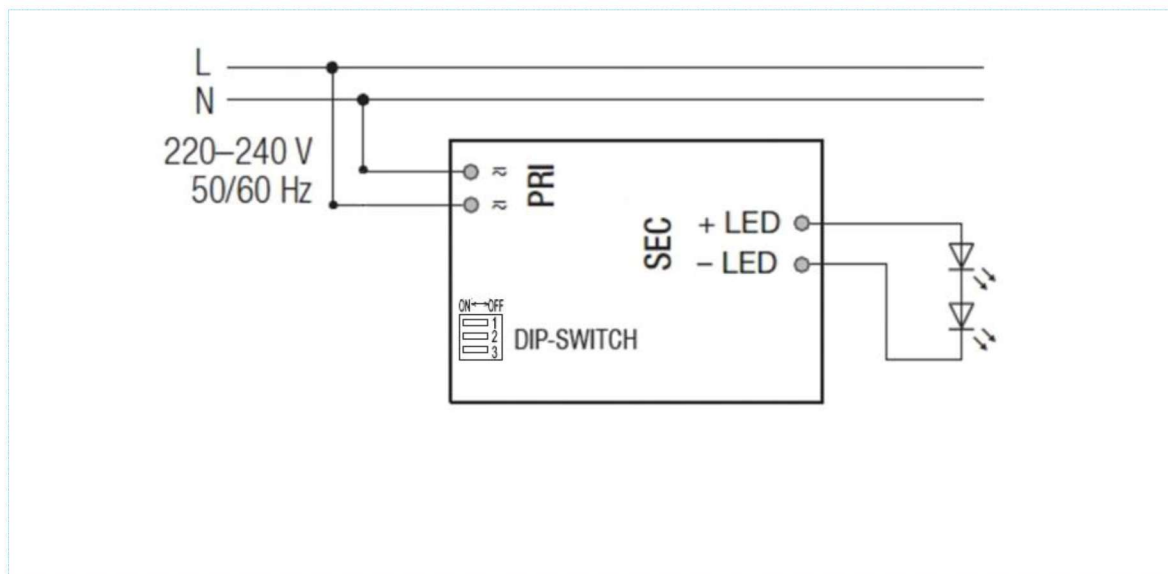


1320211748*2



1270100674*2

Wiring diagram

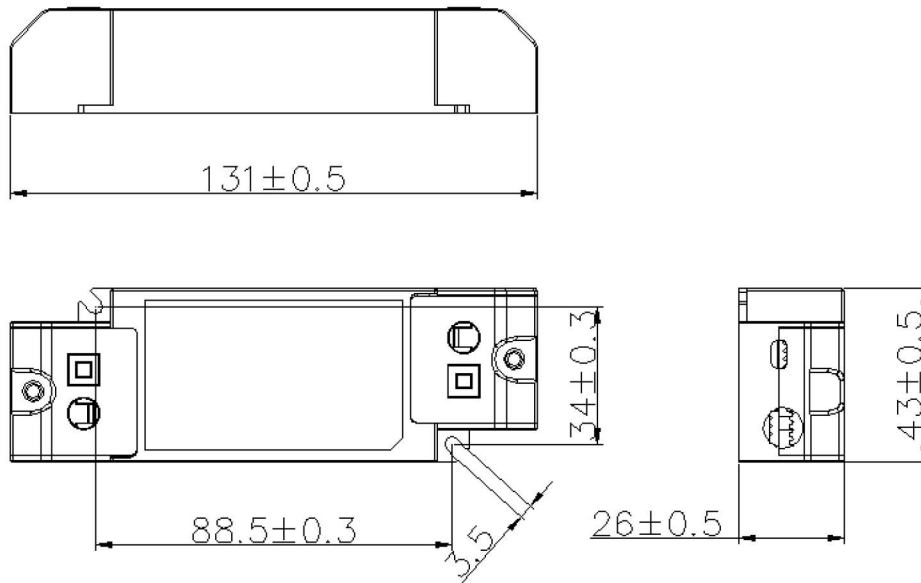


32W Constant current Dip Switch-FLS Series

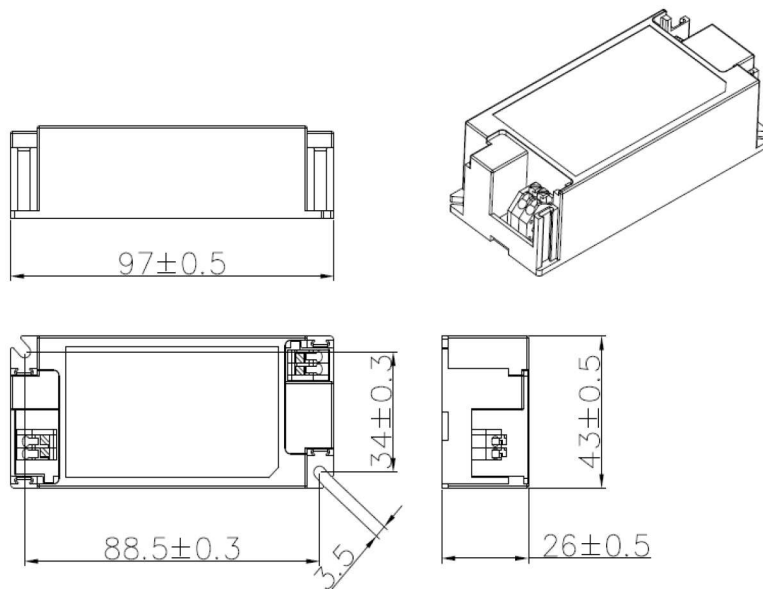
FLS-32-800 LD

■ 2D diagram

With side caps



Without side caps

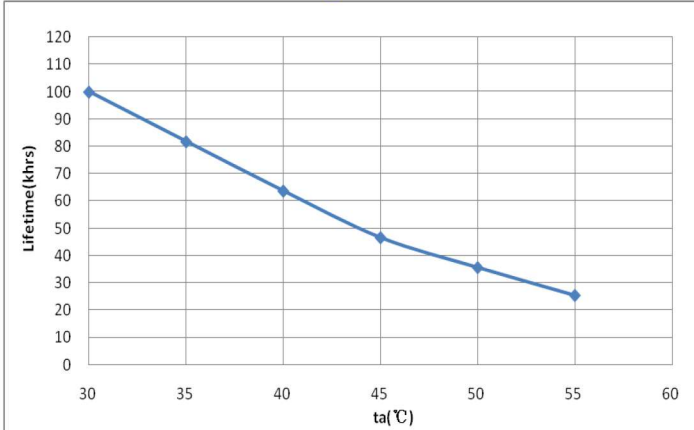


32W Constant current Dip Switch-FLS Series

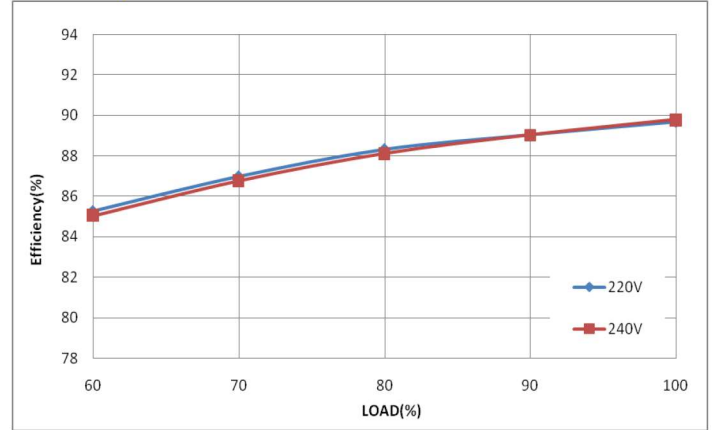
FLS-32-800 LD

■ Curve for $I_o=800\text{mA}$

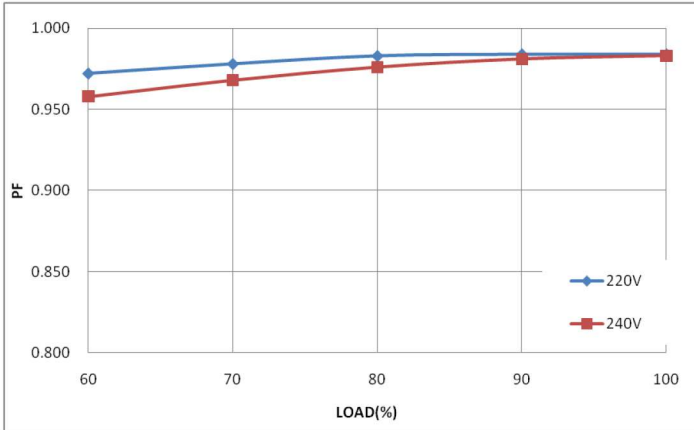
Lifetime vs. Ambient Temperature Curve



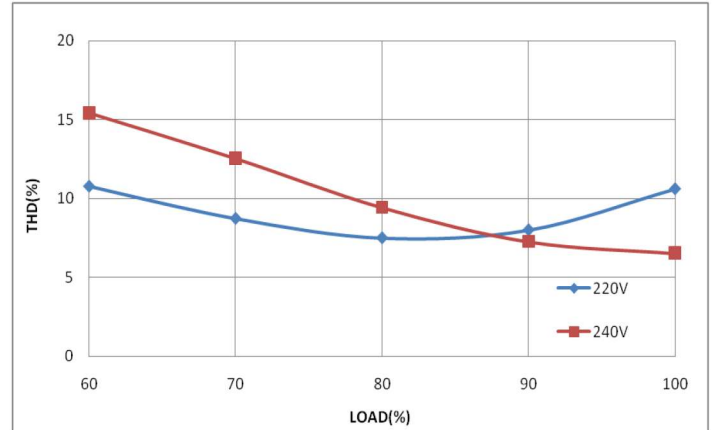
Efficiency vs. Load



Power Factor Characteristics



THD vs. Load



■ Operating window

